

Catchbox Plus system

catch
box

Technical Specifications

Catchbox Plus is a wireless microphone system for presenter and audience audio capture in any space. At the center of the Plus system is the Hub DSP receiver that offers versatile connectivity options for various technical setups. Mix and match up to 4 presenter and audience microphones to connect to your Hub based on your audio capture needs.

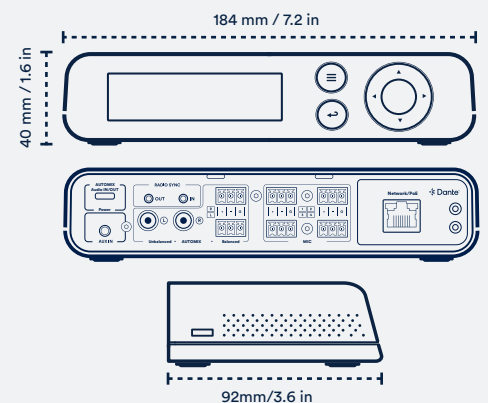
General Specifications

Audio latency	19 ms	Max # of transmitters in one space	Unsynchronised EU: up to 10, US: up to 6 Synchronised EU: up to 20, US: up to 12
Audio encryption	AES256 (available late 2024)	Wireless range	100 m / 330 ft (Line of Sight)*
Radio frequency band	DECT / DECT 6.0 (1.8 / 1.9 GHz band) We will ship the product configured to the frequency band based on the delivery address provided.	Operating temperature range	0 °C (32 °F) to 30 °C (86 °F)
Radio output power	Up to 63mW, controllable from Hub		

* The actual operating range depends upon the RF output settings, the surroundings, the signal absorption, signal reflection and signal interference

Hub DSP Receiver

The Hub packs three devices in one - a wireless mic receiver, DSP and mixer. Utilize the built-in DSP and mixer functionality for automated audio management or connect separate mic outputs to your mixer board or DSP for complete control.

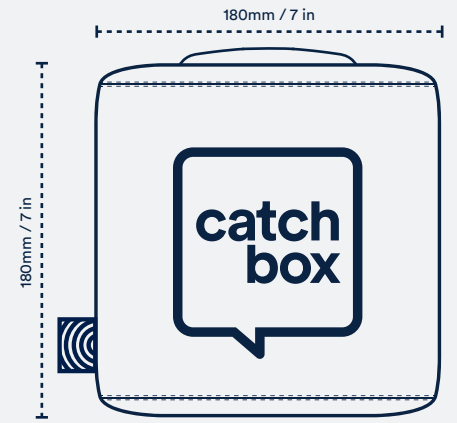


Specifications

Audio outputs	Mic (1 - 4) - 3-pin, balanced, Mic level Mixout - RCA, unbalanced, Line level Mixout - L&R, 3-pin, balanced, Mic level Mixout - USB-C, digital output	Kensington lock	Yes
Audio inputs	USB-C - digital input Aux-in - 3.5mm - unbalanced, Line level	Stealth mode	Yes
Dante® audio networking	Audio in & out (4x4)	Power	5V, 1A USB-C or PoE
Remote control & monitoring	API Q-sys, Utelogy Catchbox Control Software	Weight (without mounting kit)	300 g / 10.58 oz
Radio sync	Local 2.5mm	Dimensions (without mounting kit)	184 x 92 x 40 mm / 7.2 x 3.6 x 1.6 in
Antenna type	Built-in antennas		

Cube

Throwable audience microphone for efficient audience audio capture and enhanced audience engagement during Q&As.



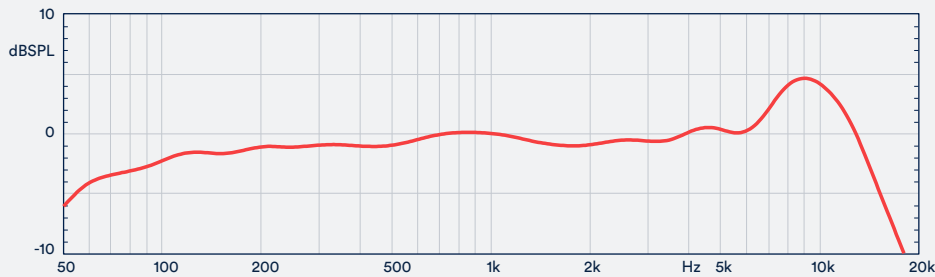
Specifications

Audio frequency response	50 to 20000 Hz	Battery type	Serviceable, Li-ion, rechargeable
Microphone element, pick-up pattern	Electret condenser, Focused omni-directional™	Battery life	Typical 22h***
Sensitivity	138,9 mV/Pa	Home station - Charging Base	Yes (included)
Self-noise	22,3 dBA	Battery charge time	Charging Base: 8h USB-C: 4h
Max SPL	≥ 122 dB SPL	Weight	370 g / 13.05 oz
Built-in Automute™ technology	Yes**	Dimensions	180 x 180 x 180 mm / 7 x 7 x 7 in

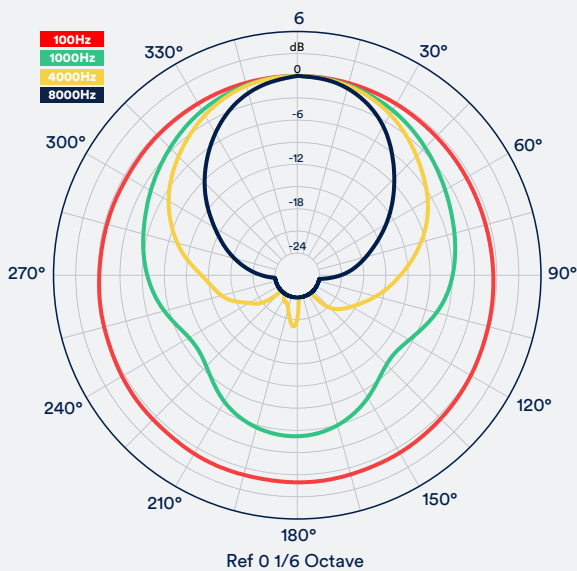
** Automute technology temporarily switches off audio when the microphone is caught, thrown or dropped to eliminate unwanted noise

*** Depends on selected RF power level

Microphone Frequency Response

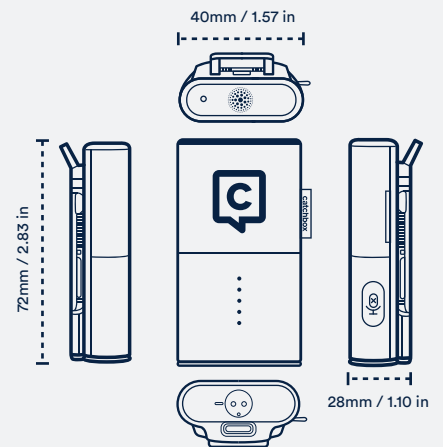


Polar pattern



Clip

Wearable presenter microphone designed for powerful hands-free presentations for ease of use and high audio quality.

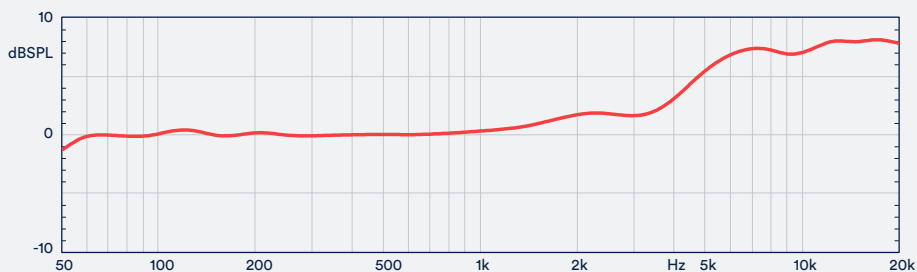


Specifications

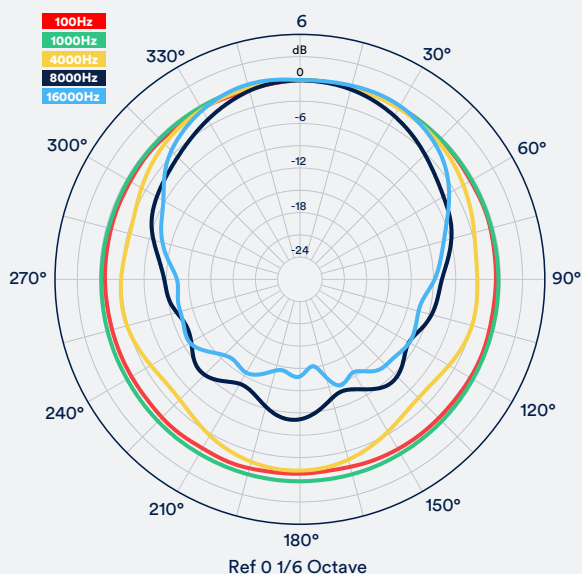
Audio frequency response	50 to 20000 Hz	Battery life	Typical 8h***
Microphone element, pick-up pattern	Electret condenser, focused omni-directional™	Home station - Single & Dual Dock Charger	Yes (included)
Sensitivity	62,8 mV/Pa	Battery charge time	Catchbox dock: 2h USB-C: 2h
Self-noise	18,5 dBA	Attachment types	Lever (clip on clothing) Lanyard (wear around the neck)
Max SPL	≥ 125 dB SPL	Weight	57 g / 2.01 oz
Quick-mute function	Yes	Dimensions (with lever)	40 x 72 x 28 mm / 1.57 x 2.83 x 1.10 in
Battery type	Serviceable, Li-ion, rechargeable		

*** Depends on selected RF power level

Microphone Frequency Response

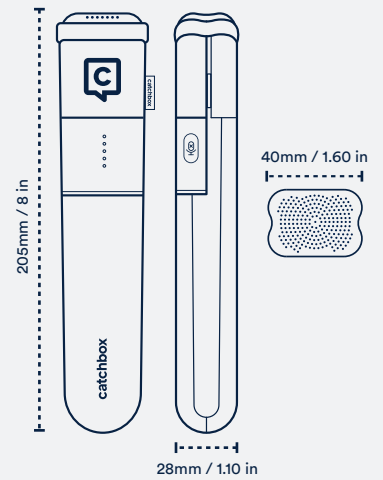


Polar pattern



Stick

Handheld wireless microphone for delivering exceptional presenter audio. Its ergonomic design provides a comfortable grip, ideal for presentations and speeches.

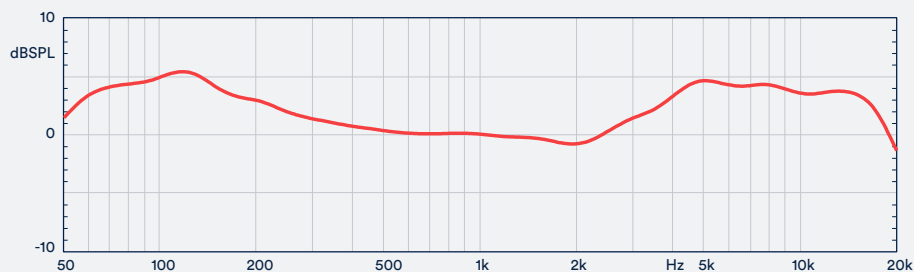


Specifications

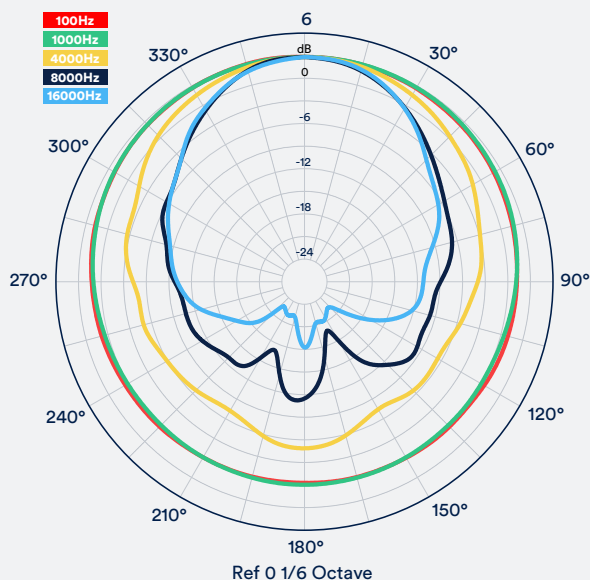
Audio frequency response	50 to 20000 Hz	Battery type	Serviceable, Li-ion, rechargeable
Microphone element, pick-up pattern	Electret condenser, focused omni-directional™	Battery life	Typical 8h***
Sensitivity	54,0 mV/Pa	Battery charge time	Catchbox dock: 2h USB-C: 2h
Self-noise	23,5 dBA	Attachment types	No
Max SPL	≥ 130 dB SPL	Weight	232 g / 8.18 oz
Quick-mute function	Yes	Dimensions (with lever)	40 x 205 x 28 mm / 1.60 x 8 x 1.10 in

*** Depends on selected RF power level

Microphone Frequency Response



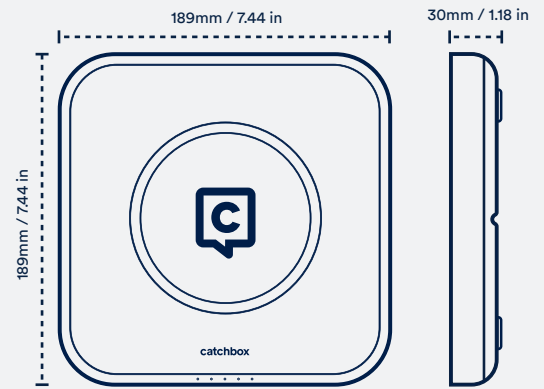
Polar pattern



Charging Base

For Cube

Home station for the Cube.
Place the Cube on the Charging base to mute the mic and start charging.



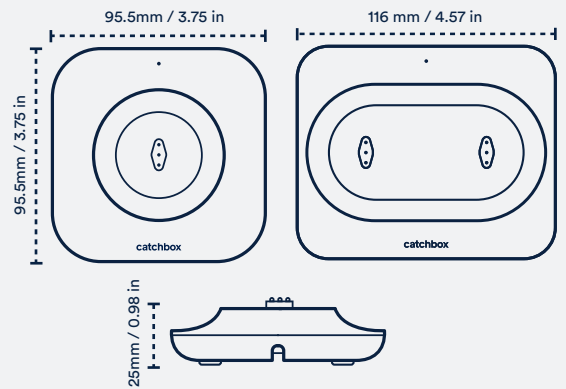
Specifications

Compatible with	Cube	Weight	385 g / 13.6 oz
Charging protocol	Catchbox proprietary	Dimensions	189 x 189 x 30 mm / 7.44 x 7.44 x 1.18 in
Power supply	5V 1A USB-C		

Charging Docks

For Clip and Stick

Home station for Clip and Stick mics.
Snap Clip/Stick on the dock to mute the mics and start charging.

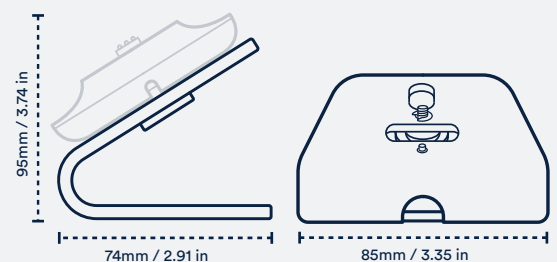


Specifications

Compatible with	Clip and Stick	Weight	150 g / 5.29 oz
Power supply	5V 1A USB-C	Dimensions	Single: 95.5 x 95.5 x 25 mm / 3.76 x 3.76 x 0.98 in Dual: 116 x 95.5 x 27mm / 4.57 x 3.76 x 0.98 in
Daisy chain	Up to 6 single docks / charging slots		

Dock Bracket

Elevated mount for the Dock Charger.
Attaches to horizontal or vertical surfaces.

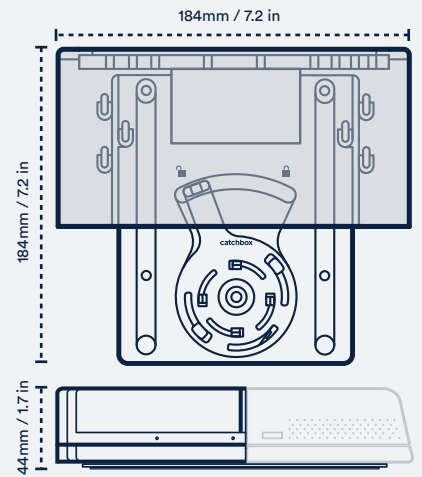


Specifications

Compatible with	Dock Charger (Single and Dual)	Dimensions	85 x 95 x 74 mm / 3.35 x 3.74 x 2.91 in
Weight	500 g / 17.64 oz		

Hub Mounting Kit

An accessory that allows you to lock and mount the Hub on any direction oriented surface.

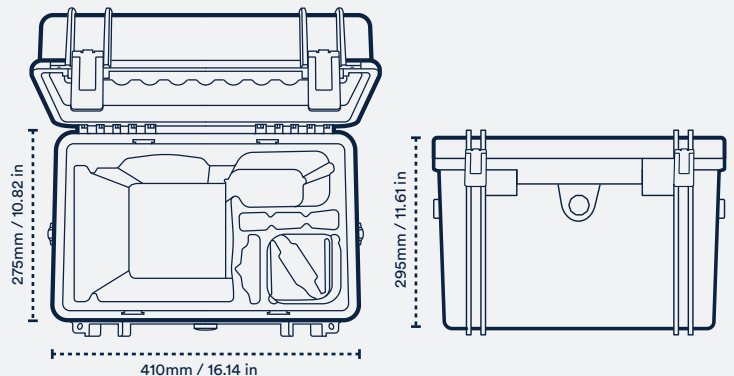


Specifications

Compatible with	Hub	Weight	190 g / 6.70 oz
Mounting options	Dual lock for adhesion mount VESA 100mm pattern for Screw mount	Dimensions	184 x 184 x 44 mm / 7.2 x 7.2 x 1.7 in
Cable manager	Yes		

Storage Case

Dedicated storage case for the Plus system components (Clip and Cube bundle).



Specifications

Weight	3 kg / 6.61 lb	Dimensions	410 x 275 x 295 mm / 16.14 x 10.82 x 11.61
Compatible with	Hub, Clip, Cube, Stick Wireless Charger, Dock Charger (single and dual), dock bracket Mounting kit, cables		