

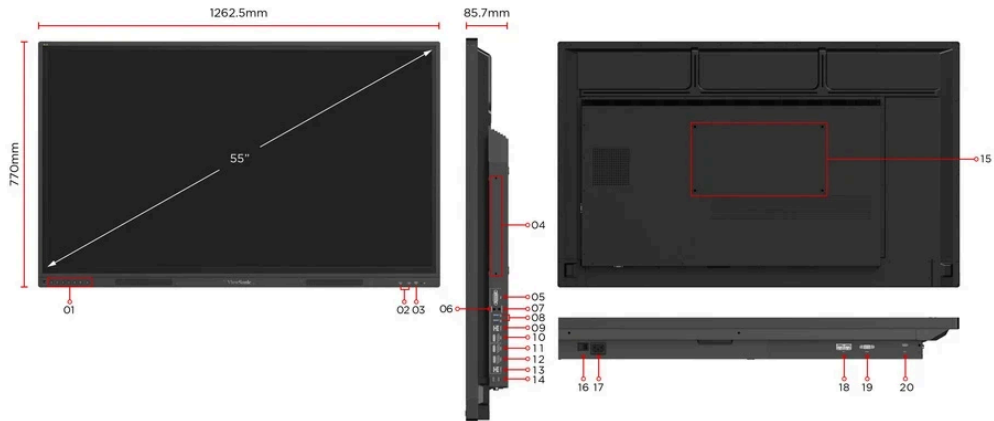
**Key Features**

- Bring Your Own Device interactive display for versatile use in any scenario
- Upgradable framework for enhanced versatility and prolonged longevity
- Seamless USB-C plug-and-play connectivity with 65W power charging for convenient presentations
- Flexible integration with slot-in PCs, supporting Windows, Linux, and EDLA



**Product Omschrijving**

Transform teamwork and efficiency with the ViewBoard Genesis Series of Bring Your Own Device interactive displays. Boasting an upgradable framework, this series ensures versatility by seamlessly integrating with slot-in PCs across EDLA, Windows, and Linux operating systems. Through these integrations, it enables access to Google Workspace and Microsoft 365 productivity suites to elevate workspace dynamics. This versatility extends to its USB-C plug-and-play connectivity, enabling instant and fluid presentations from connected devices, regardless of their platform. Prioritizing productivity and peace of mind, the series emphasizes data security, ensuring sensitive information remains securely stored on connected devices for workflows that are truly safe and efficient.



- |                   |                 |                                  |
|-------------------|-----------------|----------------------------------|
| 01. Menu Controls | 08. USB 3.0 X 2 | 15. VESA® Wall Mount 600 x 200mm |
| 02. USB 3.0 X 2   | 09. Touch 1     | 16. Power On/OFF                 |
| 03. USB 2.0       | 10. HDMI 1      | 17. AC IN                        |
| 04. OPS Slot      | 11. HDMI 2      | 18. LAN                          |
| 05. VGA           | 12. HDMI 3      | 19. RS232                        |
| 06. Audio In      | 13. Touch 2     | 20. USB 2.0(FW update)           |
| 07. Audio Out     | 14. USB Type-C  |                                  |

## DISPLAY

|                                    |                                    |
|------------------------------------|------------------------------------|
| Paneelgrootte:                     | 55"                                |
| Paneeltype:                        | TFT LCD Module with DLED Backlight |
| Weergavegebied (mm):               | 1209.6(H) x 680.4 (V)              |
| Aspectratio:                       | 16:9                               |
| Resolutie:                         | UHD 3840x2160                      |
| Colors:                            | 1.07B colors (8bit+FRC)            |
| Helderheid:                        | 450nits                            |
| Contrastverhouding:                | 1200:1 (typ.) 6000:1 (DCR)         |
| Reactietijd:                       | 8ms                                |
| Kijkhoeken:                        | H = 178, V = 178 typ.              |
| Levensduur achtergrondverlichting: | 50,000 hours (Min)                 |
| Oppervlakte behandeling:           | Hardness: 9H, Anti-glare coating   |
| Bezel:                             | Slim                               |
| Oriëntatie:                        | Landscape                          |

## TOUCH

|                  |   |
|------------------|---|
| Type:            | Ultra Fine Touch Technology (IR Recognition)              |
| Touch resolutie: | 32767 x 32767   |
| Touch punt:      | Windows: 40 points of touch, Android : 20 points of touch |

## INPUT

|          |  |
|----------|--|
| HDMI:    | Rear 2.0 x 3 (HDMI 1 & 3 Support CEC; HDMI 2 Supports CEC & ARC) |
| RGB/VGA: | x1   |
| Audio:   | x1   |
| RS232:   | x1   |
| OPS:     | x1   |

## OUTPUT

|        |    |
|--------|----|
| Audio: | x1 |
|--------|----|

## LAN

|       |            |
|-------|------------|
| RJ45: | 1 in 1 out |
|-------|------------|

## USB

|         |   |
|---------|---|
| Type A: | Front x3(USB2.0x1, USB3.0x2)<br>Rear x3(USB3.0x2, 2.0 x1 for FW update) |
| Type B: | Rear x2 (USB 3.0x2)   |
| Type C: | x1 ( DP 1.2, Touch, Data Sharing, PD65W, Ethernet 10M/100M)             |

## SPEAKERS

|         |
|---------|
| 10W x 2 |
|---------|

## TOP CAMERA PLATE

|     |
|-----|
| Yes |
|-----|

## COMPATIBILITY

|       |                  |
|-------|------------------|
| HDMI: | 3840x2160 @ 60Hz |
|-------|------------------|

## SPECIALE EIGENSCHAPPEN

|   |   |
|---|---|
| All-in-one USB port:                                    | "SmartPort™ USB" to all channels.             |
| Eenvoudig delen via LAN tussen IFP en slot-in-apparaat: | 10/100/1000M (USB Type-C 10M/100M, OPS 1000M) |
| Light Sensor:   | Yes   |

## STROOM

|             |                               |
|-------------|-------------------------------|
| Spanning:   | 100-240VAC +/- 10% Wide Range |
| Consumptie: | On:90.23W<br>Off mode <0.5W   |

## ERGONOMICS

|                      |                |
|----------------------|----------------|
| Wandmontage (VESA®): | 400mm x 200 mm |
|----------------------|----------------|

## OPERATING CONDITIONS

|                    |                             |
|--------------------|-----------------------------|
| Temperatuur (° C): | 0°C to 40°C                 |
| Luchtvochtigheid:  | 20% ~ 80% RH non-condensing |

## AFMETINGEN (B X H X D)

|                         |  |
|-------------------------|--|
| Fysiek (inch/mm):       | 49.7 x 30.3 x 3.37 in / 1262.5 x 770 x 85.7 mm |
| Verpakking (inch / mm): | 54.8 x 34.1 x 8.7 in / 1392 x 867 x 220 mm     |

## WEIGHT

|                  |                 |
|------------------|-----------------|
| Netto (lb / kg): | 59.30lb/26.90kg |
| Bruto ( lb/kg):  | 78.04lb/35.40kg |

## REGULATIONS

US NRTL w/ CA, FCC/ICES003, DOE Energy Star, DOE EPEAT, CE EMC, LVD or CB, RoHS Green BOM & RoHS DoC, ErP, REACH SVHC List & DoC, EEL, WEEE, GOST-R / EAC, FF, LBL, ErP-Eco, SCIP, Annex I, Annex II, TPCH DoC, Packing waste, CA65 DoC

## VERPAKKINGSINHOUD

- 3m power cable
- HDMI 2.0 cable 3m x 1 (HDMI LA certified)
- Remote control with AAA battery (Opt.)
- 3m USB 2.0 touch cable x 1
- Touch pen (Passive pen) x 2 (VB-PEN-002)
- Quick Start Guide + Compliance Statement
- RS232 adapter
- Screw (wall mount 4)
- Camera Plate

## COMPATIBLE SLOT-IN PC

Configurable OS, Windows, Google EDLA ; VPC-A31-O1/VPC33 series/VPC35 series/VPC37 series